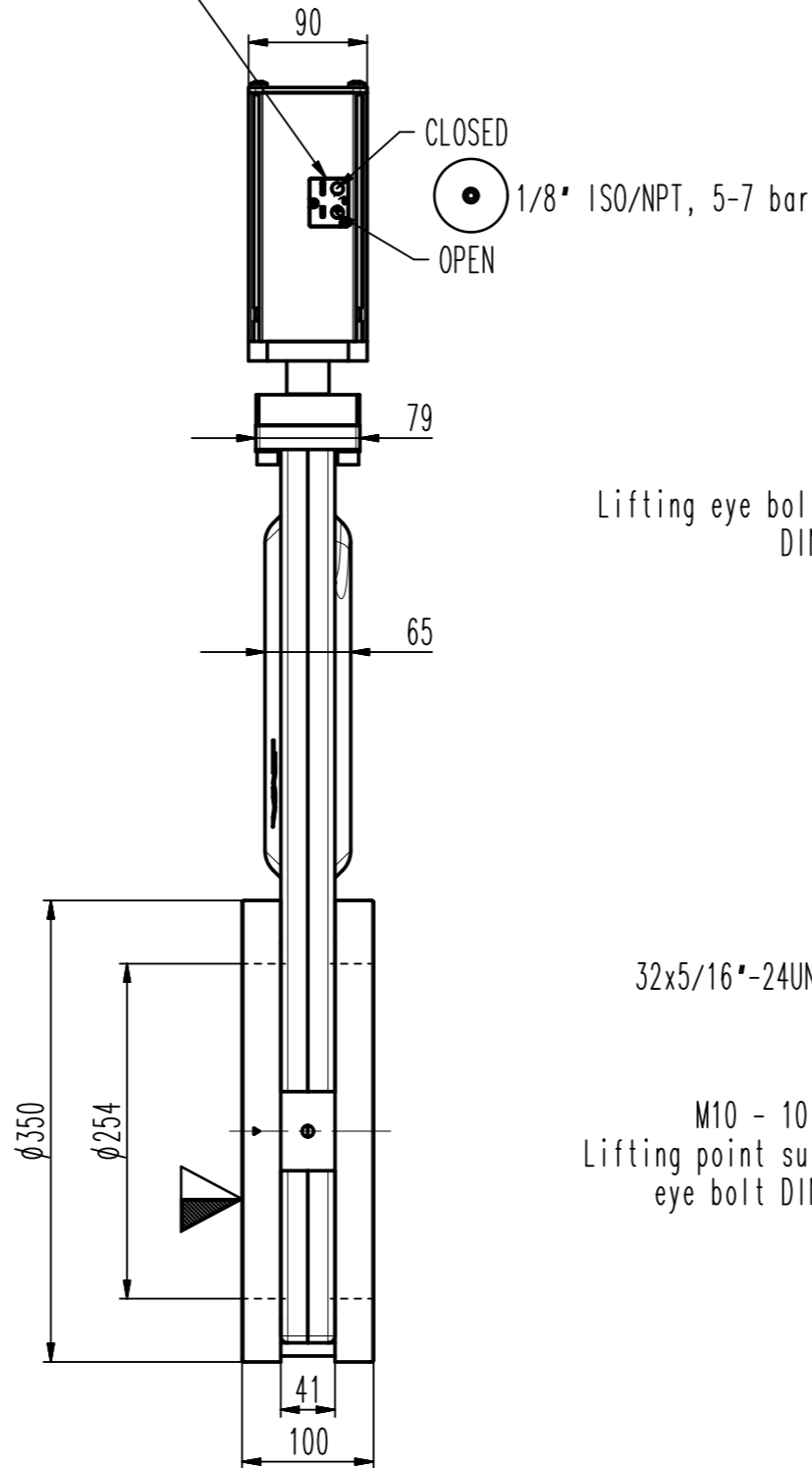


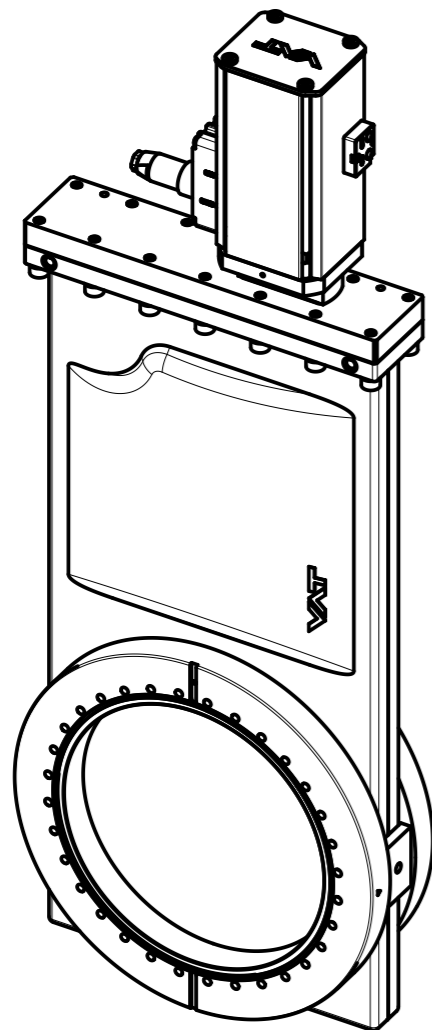
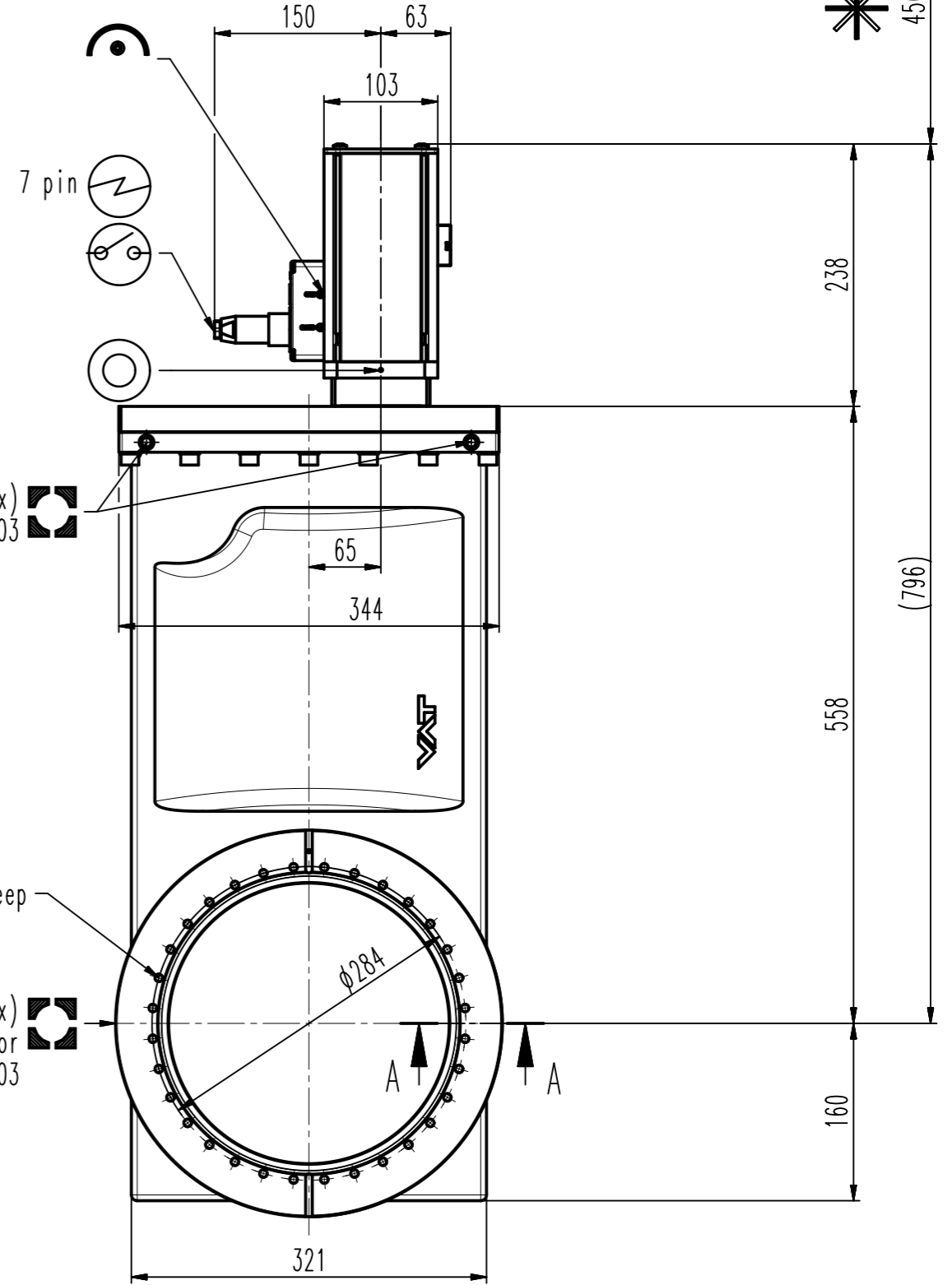
2xM5 (10-32 UNF suitable) in air cylinder if adapter plate is removed



Lifting eye bolt M10 (2x)  
 DIN 580:2003

32x5/16"-24UNF, 13 deep

M10 - 10 deep (5x)  
 Lifting point suitable for  
 eye bolt DIN 580:2003



- ▼ Seat side
- ⊙ Comp. air connection
- ⊕ Electrical connection
- ⊖ Leak detection port
- ⊙ Mech. pos. indication
- ⊙ Position indicator
- ⊙ Required for dismantling
- ⊙ Emergency actuation
- ⊙ For attachment
- ⊙ Bake-out area
- ⊙ Differential pumping port

### UHV gate valve



VAT Vakuumventile AG  
 CH-9469 Haag, Switzerland  
 Tel ++41 81 7716161 Fax ++41 81 7714830

Rev.-Date: 29.06.11  
 Visa: PEM

Series	108	Ordering No.	10848-UE24-0007
Projection E	DN	Flange	
	250	CF-F UNF	
Dimensional Drawing	224232	Rev.	A