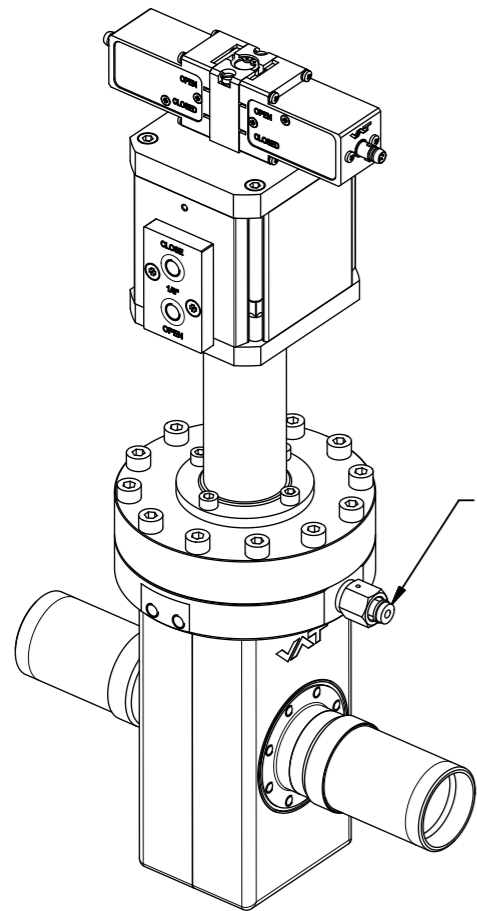


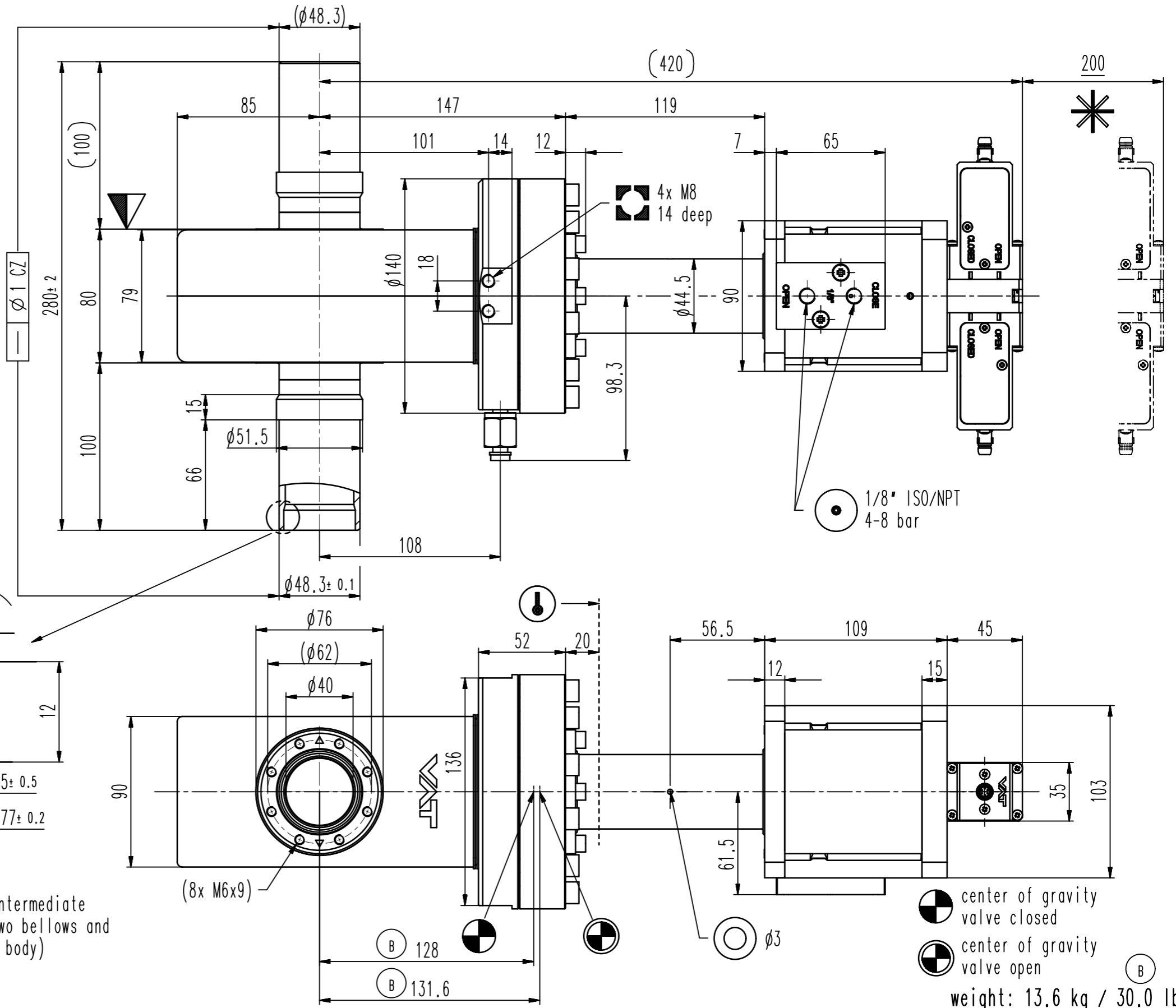
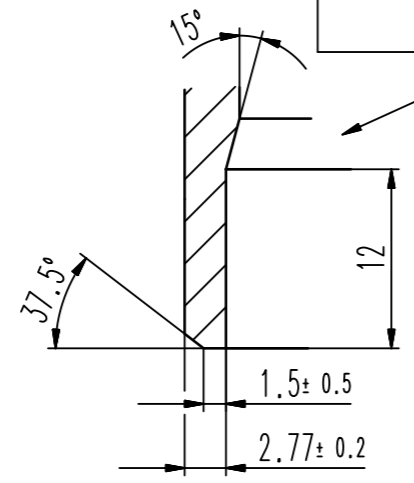
Ⓒ Glenair plug
6-pin



Ⓒ Glenair plug
6-pin



port VCR 1/4" for intermediate pumping. (between two bellows and between double wall body)
- port SS-4-VCR-3
- nut SS-4-VCR-1



- ▼ Seat side
- ⊙ Comp. air connection
- ⊙ Electrical connection
- ⊙ Leak detection port
- ⊙ Mech. pos. indication
- ⊙ Position indicator
- ⊙ Required for dismantling
- ⊙ Emergency actuation
- ⊙ For attachment
- ⊙ Bake-out area
- ⊙ Differential pumping port

All-metal gate valve
product: valve typ ITER 1; flange A+B; ; weld stub flange:
Schedule No. 10S;

VAT Vakuumentile AG
CH-9469 Haag, Switzerland
Tel ++41 81 7716161 Fax ++41 81 7714830

Rev.-Date: 12.05.20
Visa: MAT

Series	481	Ordering No.	48132-RE24-ARG1
Projection E	DN	Flange	R
Dimensional Drawing	40		
	825794		