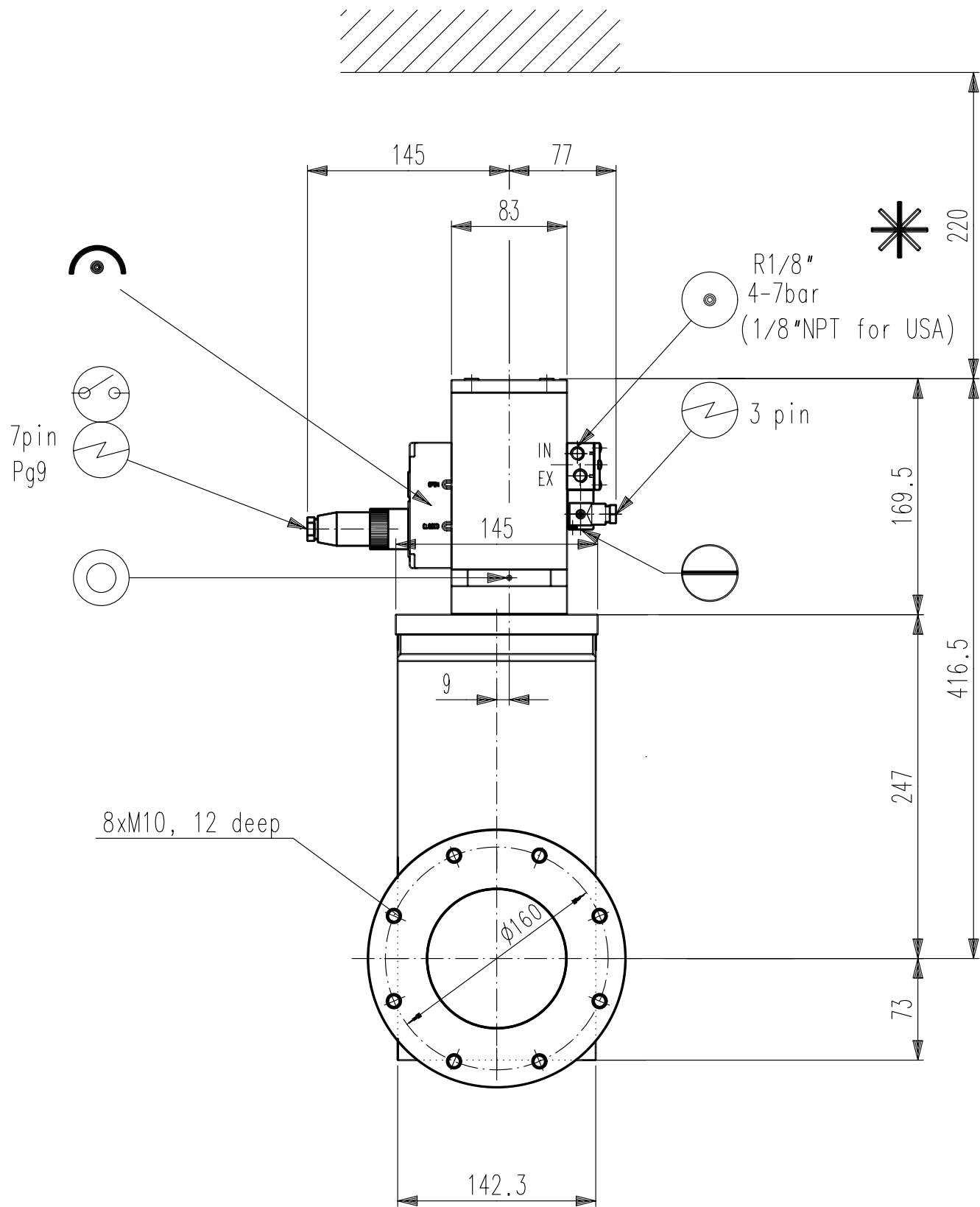
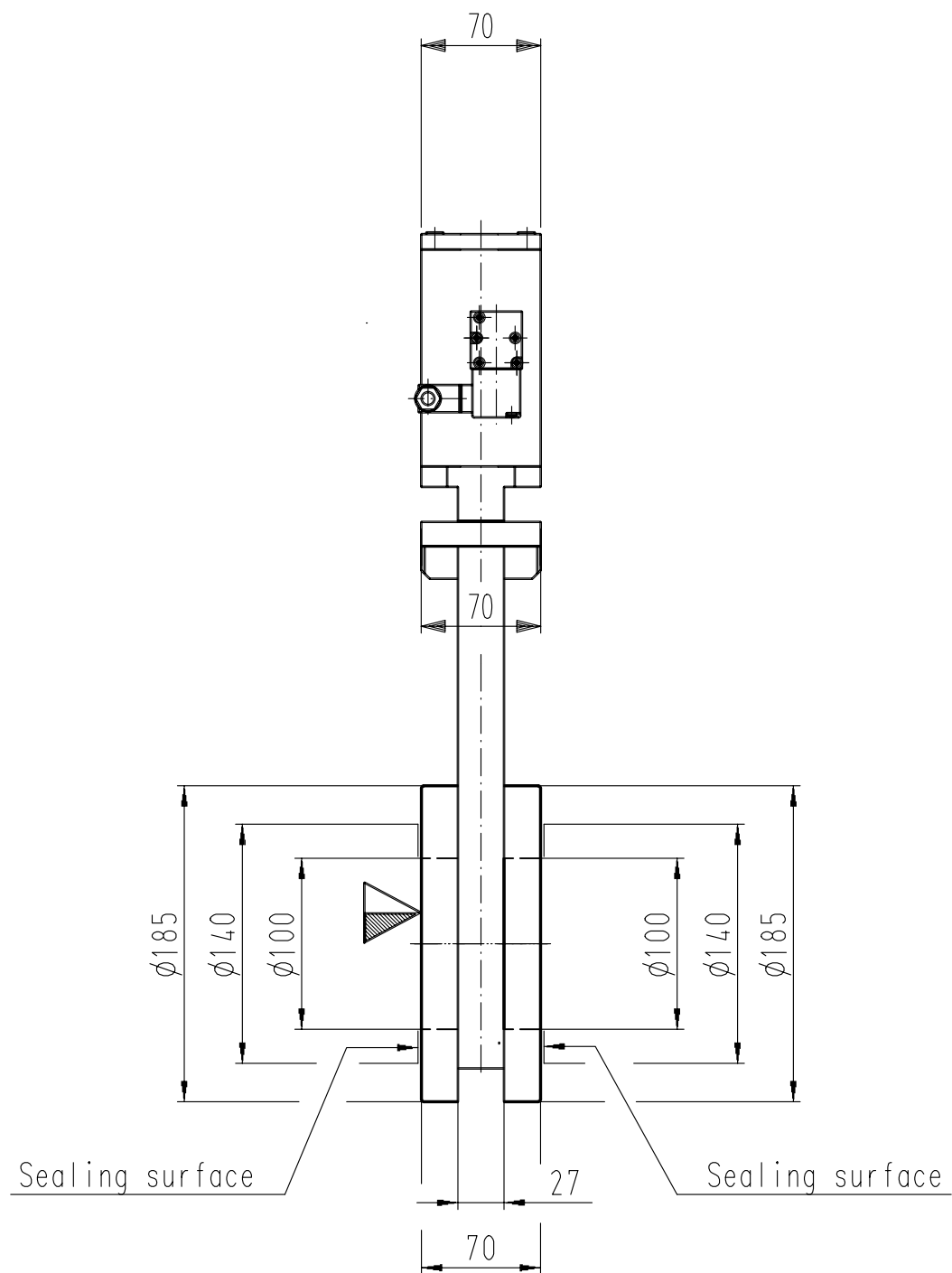


This drawing is the property of VAT.
Without the written consent of VAT, it must
not be copied or distributed to a third person

Revision	
Code	
Date	
Name	



- ▼ Seat side
- ⊙ Comp. air connection
- ⚡ Electrical connection
- ⊙ Leak detection port
- ⊙ Mech. pos. indication
- ⊙ Position indicator
- ⊙ * Required for dismantling
- ⊙ Emergency actuation
- ⊙ For attachment
- ⊙ Bake-out area

UHV Gate Valve

pneumatic actuator



VAT Vakuumentile AG
CH-9469 Haag, Switzerland
Tel ++41 81 7716161 Fax ++41 81 7714830

Date: 30.08.2000
Name: SUTER

Series	10	Ordering No.	10840-JE44
Projection E		DN	100
		Flange	JIS
Dimensional Drawing	215253	Rev.	